

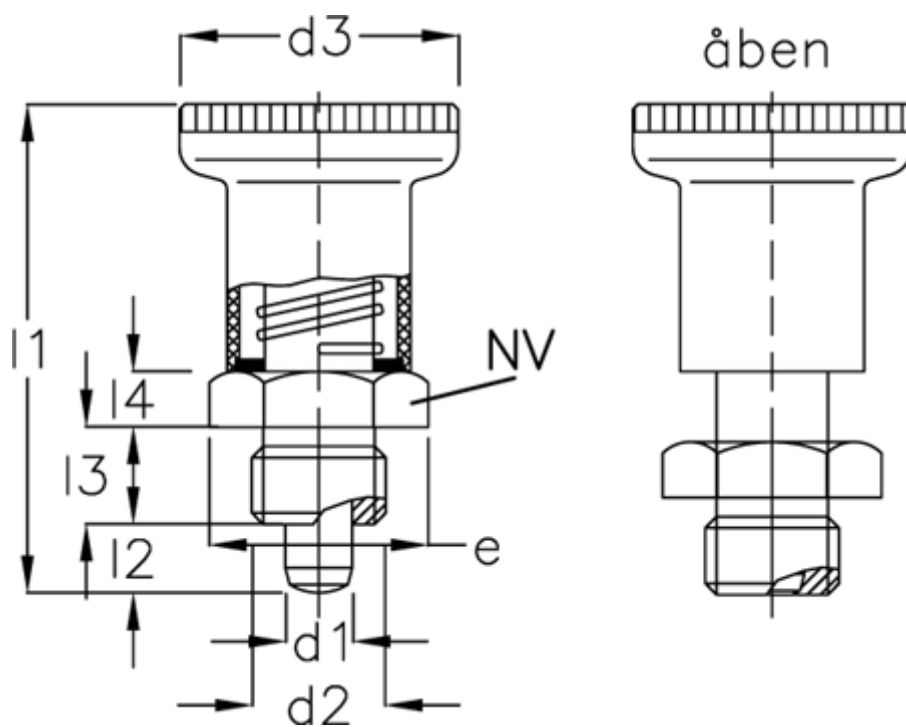
Data Sheet



Article number: 200100021

Description: E+G Stainless Indexing plunger
GN 607-6-A-NI

Measures



AL = 400	$l4$	= 5
$d1 = 6$	NV	= 17
$d2 = M12 \times 16$	Spring pressure N bottom	= 22
$d3 = 25$	Spring pressure N top	= 8.5
$e = 19.6$		
$l1 = 45$		
$l2 = 6$		
$l3 = 10$		